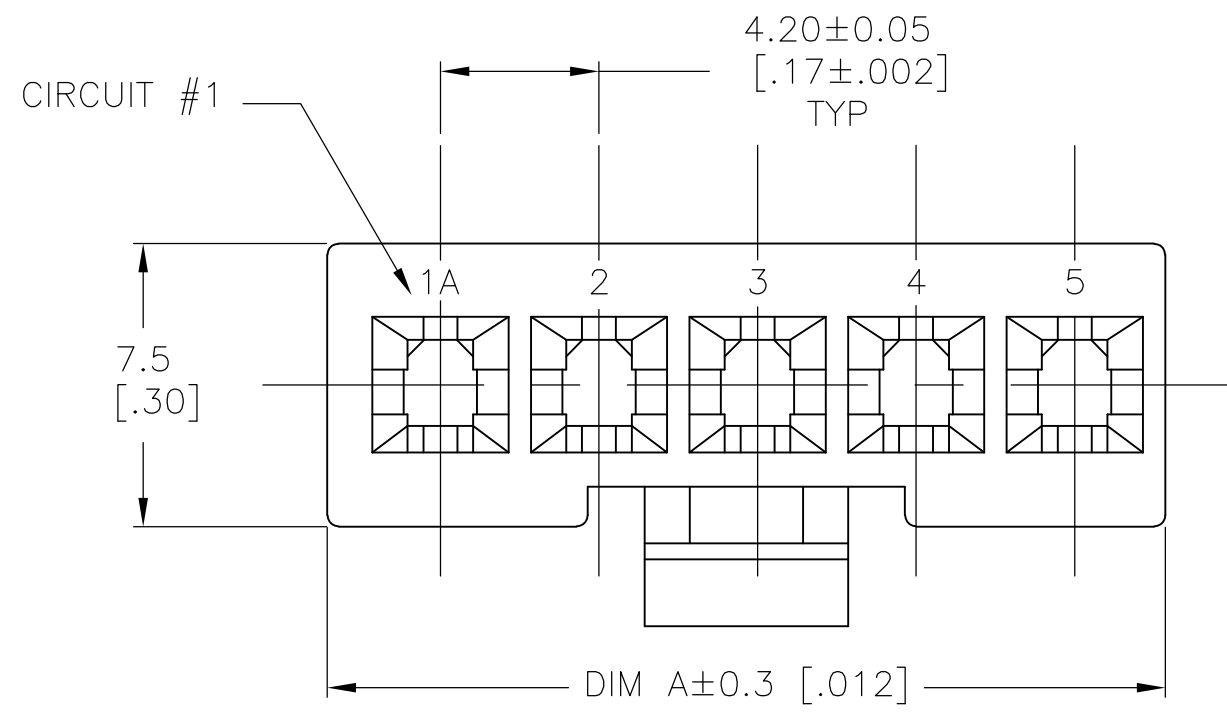
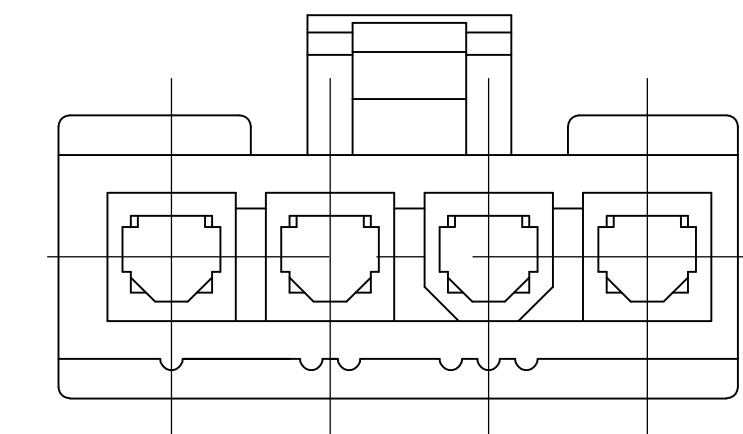
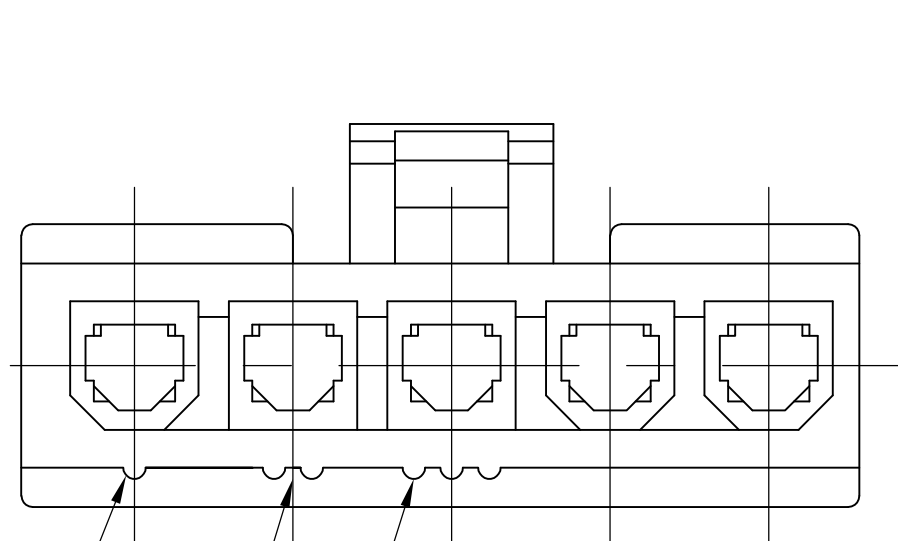
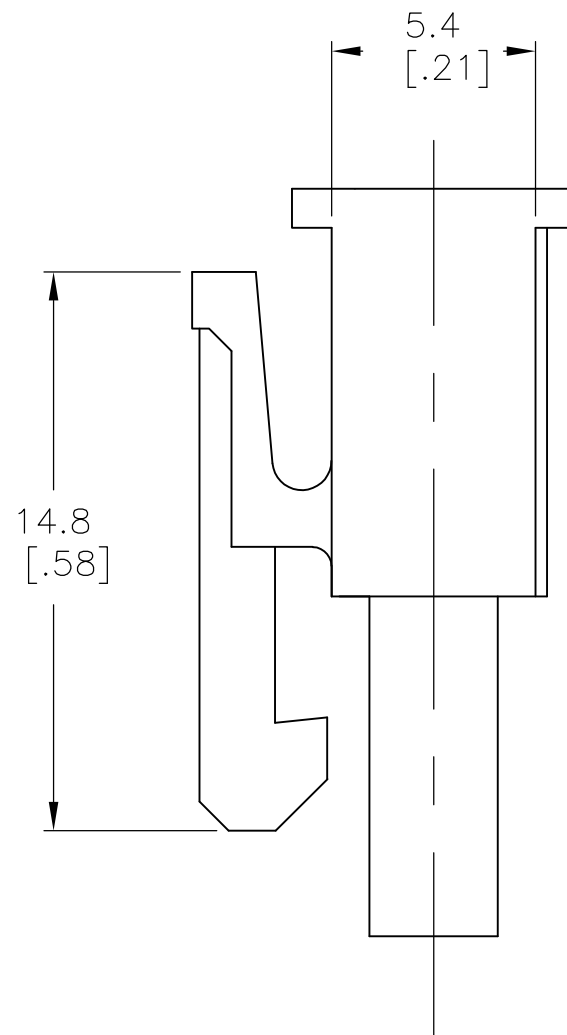
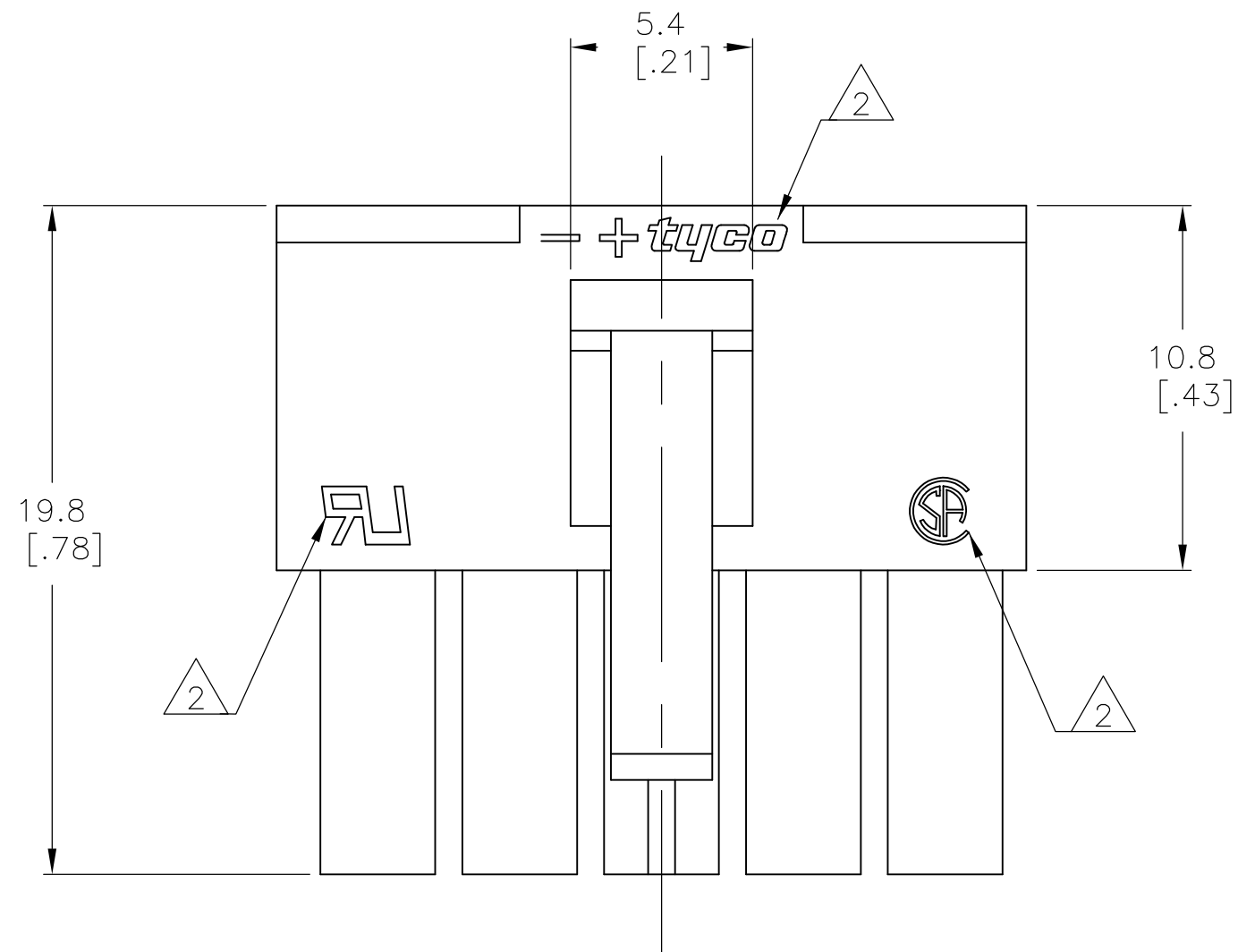


THIS DRAWING IS UNPUBLISHED. RELEASED FOR PUBLICATION
 © COPYRIGHT BY TYCO ELECTRONICS CORPORATION. ALL RIGHTS RESERVED.

LOC	DIST	REVISIONS			
P	LTR	DESCRIPTION	DATE	DWN	APVD
CM	00	D	REVISED PER ECO-08-014350	10JUN08	HMR CC



- 1 MATERIAL : NYLON 66 UL94V-0
- 2 TE LOGO, UL LOGO, AND CSA LOGO - SIZE, LOCATION, AND ORIENTATION OPTIONAL.



4 POSITION MATING FACE
(FOR POLARIZATION IDENTIFICATION)

METRIC

COLOR	DIM A	POS	PART NUMBER
BLACK	18.0 [.71]	4	1-1586027-9
WHITE	22.2 [.87]	5	1586027-5
WHITE	18.0 [.71]	4	1586027-4

THIS DRAWING IS A CONTROLLED DOCUMENT.

DWN K. WHITAKER 09DEC03	Tyco Electronics Corporation Harrisburg, PA 17105-3608
CHK D. COLEY 09DEC03	
APVD D. COLEY 09DEC03	
PRODUCT SPEC -	
APPLICATION SPEC -	NAME RECEPTACLE, SINGLE ROW, VAL-U-LOK(TM)
WEIGHT -	SIZE A2
CUSTOMER DRAWING	CAGE CODE 00779
	DRAWING NO 1586027
	RESTRICTED TO -
	SCALE 5:1
	SHEET 1 of 1
	REV D